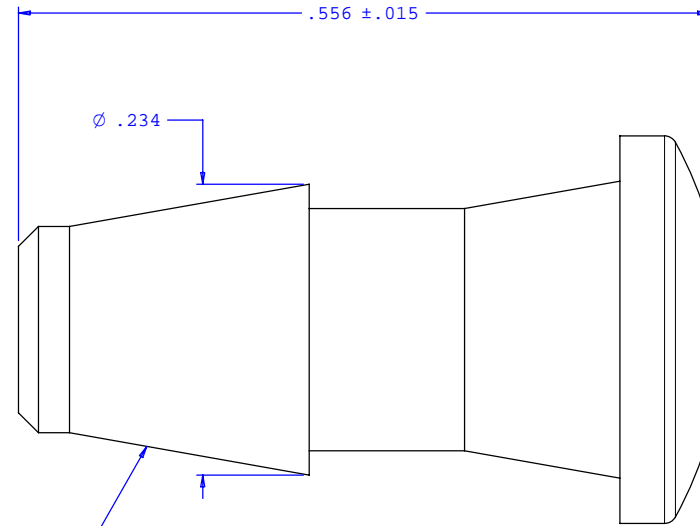
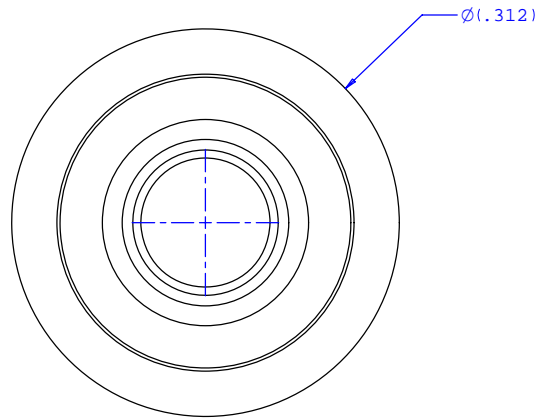


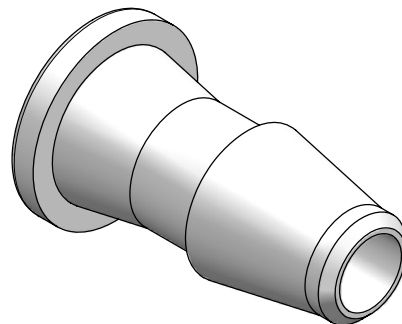
NOTE: FOR MORE DETAILS SEE YOUR V.P. CUSTOMER SERVICE REP.

REVISIONS			
REV.	DESCRIPTION	DATE	APPROVED
A	INITIAL RELEASE	02-17-97	
B	CO 027 Drafting Update	10-10-05	Rick C.



INSTRUMENT QUALITY PART.
PARTING LINE PERMITTED ON
THIS CONICAL SURFACE

NO



UNLESS OTHERWISE SPECIFIED DIMENSIONS ARE IN INCHES TOLERANCES ARE:		VALUE PLASTICS, INC.	
FRACTIONS	DECIMALS	ANGULAR	PART NUMBER: PIP240
±	.XX ±.01	±1°	DESCRIPTION: Press-In Plug with 200 Series Barb, 5/32" (4 mm) ID Tubing
	.XXX ±.005		SIZE: B SCALE: NTS DRAWING NUMBER: 1007464
	.XXXX ±.001		REV. B
DO NOT SCALE DRAWING		© 2005 VALUE PLASTICS, INC. SHEET: 1 OF 1	
DRAWN BY: Frank Lombardi	DATE: 09-01-05	Engineer/Manager: Rick Cairns	

FOR REFERENCE ONLY