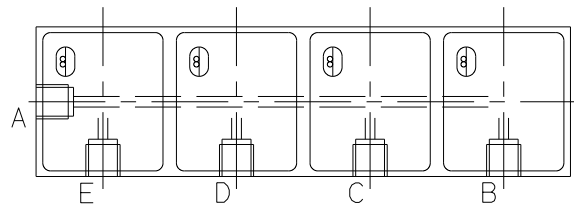


FOR REFERENCE ONLY

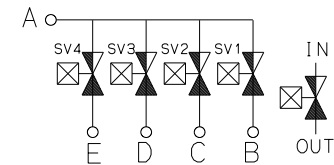
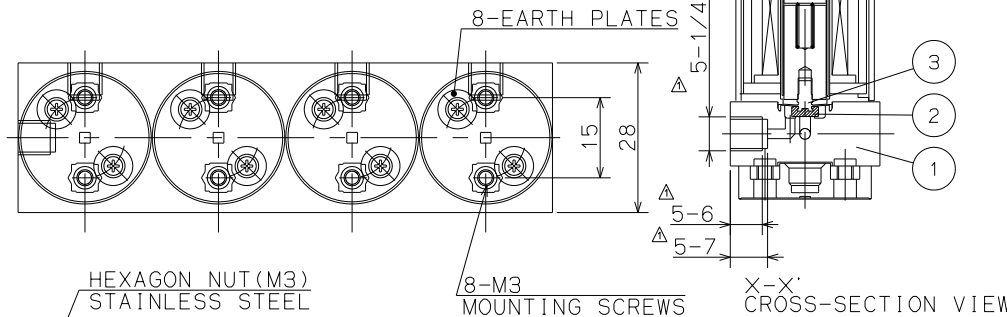
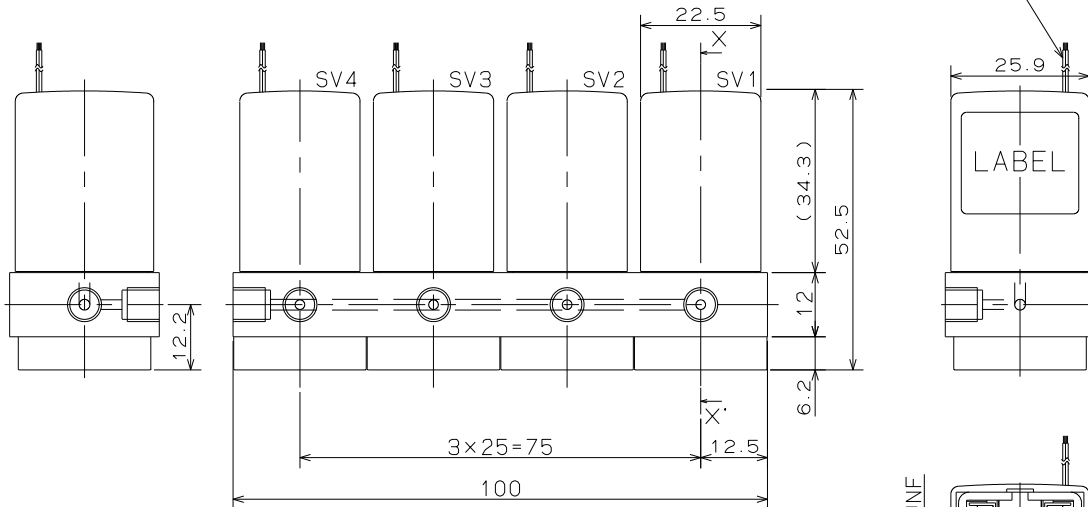
SOLENOID VALVE

△ SPECIFICATIONS for MODEL WTA-2-4MFG-21

- ORIFICE DIAMETER : 1.6mm
- △ PORT CONNECTION : 1/4-28UNF
- OPERATING PRESSURE RANGE : A -27 ~ 200kPa
{ -200mmHg ~ 2bar }
- B. C. D. E 0 ~ 100kPa
{ 0 ~ 1bar }
- FLUID MEDIA : FLUIDS CHEMICALLY COMPATIBLE WITH MATERIALS BELOW
- MEDIA TEMPERATURE RANGE : 5 ~ 50°C
- AMBIENT TEMPERATURE RANGE : 5 ~ 50°C
- △ RATED VOLTAGE : 12VDC
- POWER CONSUMPTION : 2.8W×4
- DUTY CYCLE : CONTINUOUS
- COIL TEMPERATURE INCREASE : MAX. 65°C FROM ROOM TEMPERATURE
- INSULATION CLASS : CLASS E
- DIELECTRIC STRENGTH : 1000VAC FOR 60s



LEADS (CROSS-LINKED PE INSULATED WIRES)
AWG26 L500±20

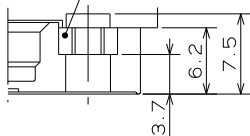


FLOW DIAGRAM

HEXAGON NUT (M3)
STAINLESS STEEL

8-M3
MOUNTING SCREWS

X-X'
CROSS-SECTION VIEW



MOUNTING SCREWS DETAIL
SCALE: 2/1

WETTED MATERIALS

△								
△			3	DIAPHRAGM	PTFE		4	
△	'18- 9-11	MANIFOLD MATERIAL ADD. etc. YY	2	SOFT SEAL	△ DAIEL™PERFLUOR		4	
SYM.	DATE	DESCRIPTION	1	MANIFOLD	PTFE/△PEEK		1	
REVISION			PART NO.	PART NAME	MATERIAL	REQD.	NOTE	
SCALE	APPROVED	CHECKED	DRAWN		DRAWING NO			
1/1		A. Todo	y.y. Yamada		△ SOLENOID VALVE WTA-2-4MFG-21		17074-00-0	
A 3								