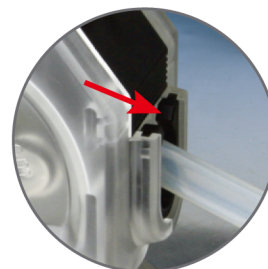


Quick-load Pump Head

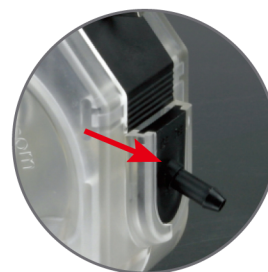
Max. Flow Rate



KZ25



For continuous tubing

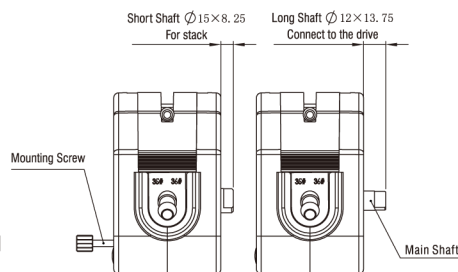
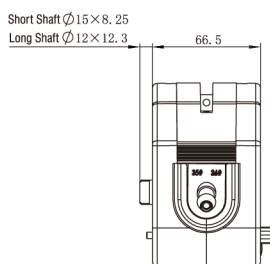
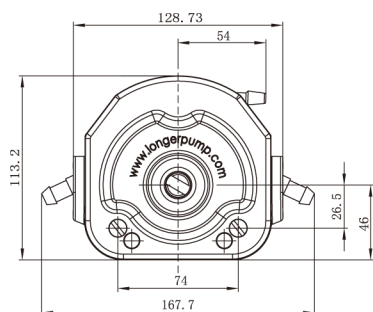
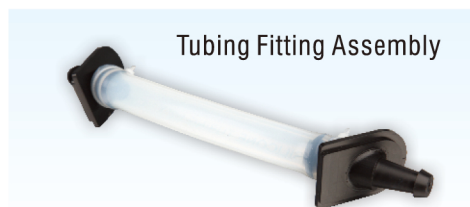


For tubing with fittings

Big flow rate up to 6000 mL/min, easy to load tubing with separated structure.

Two tubing retention mode

- Continuous tubing
- Tubing with fittings



Model	Shaft	Product Code	Roller Number	Roller Material	Compression Block Material	Speed (rpm)	Tubing	Max. Flow Rate (mL/min)	Weight (kg)
KZ25-13-A	Long	05.01.25A	3	Stainless Steel	PPS	≤600	15" 24" 35" 36"	6000	0.79
KZ25-13-B	Short	05.01.25B							