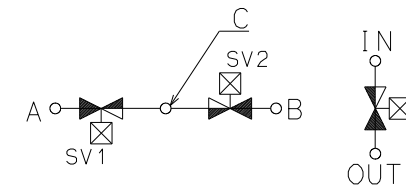
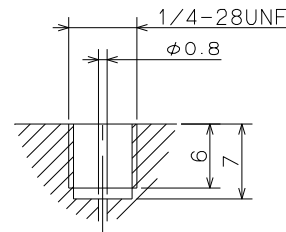
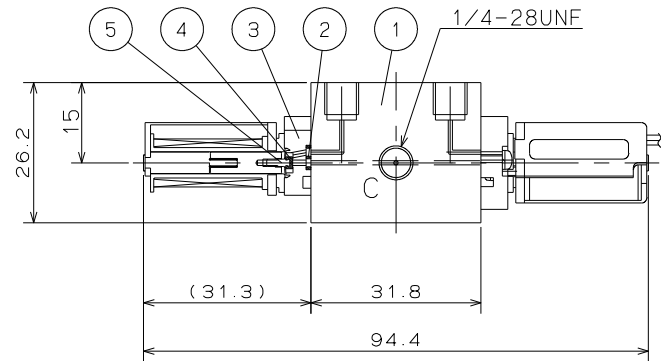
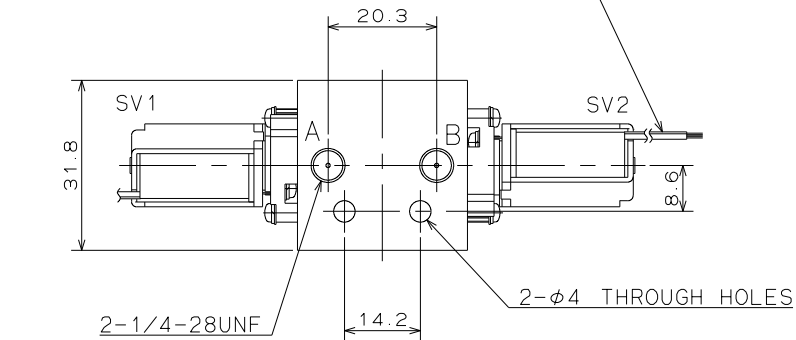


FOR REFERENCE ONLY

SOLENOID VALVE

LEADS (CROSS-LINKED PE INSULATED WIRES)
UL3266 AWG26 L500*20

SPECIFICATIONS for MODEL WTE-2K-2MICUG-8



FLOW DIAGRAM

ORIFICE DIAMETER	:	0.8mm
PORT CONNECTION	:	1/4-28UNF
OPERATING PRESSURE RANGE	:	A ~ C -10 ~ 50kPa (-75mmHg ~ 0.5bar)
		D -10 ~ 50kPa (-75mmHg ~ 0.5bar)
FLUID MEDIA	:	FLUIDS CHEMICALLY COMPATIBLE WITH MATERIALS BELOW
MEDIA TEMPERATURE RANGE	:	5 ~ 50°C
AMBIENT TEMPERATURE RANGE	:	5 ~ 40°C
RATED VOLTAGE	:	24VDC
POWER CONSUMPTION	:	1.5W×2
DUTY CYCLE	:	CONTINUOUS
COIL TEMPERATURE INCREASE	:	MAX. 65 °C FROM ROOM TEMPERATURE
INSULATION CLASS	:	CLASS E
DIELECTRIC STRENGTH	:	500VAC FOR 60s

PORT DETAILS SCALE 2 : 1

WETTED MATERIALS

△			5	DIAPHRAGM	PTFE	2	
△			4	SOFT SEAL	FFKM	2	
△			3	VALVE BODY	PEEK	2	
△			2	GASKET	FFKM	2	
SYM.	DATE	DESCRIPTION	1	BASE	PEEK	1	
REVISION			PART NO.	PART NAME	MATERIAL	REQD.	NOTE
SCALE	APPROVED	CHECKED	DRAWN		DRAWING NO		
1/1		K. Asai	Kabe		SOLENOID VALVE		
A 3		K. Hayashi			WTE-2K-2MICUG-8		22312-00-E