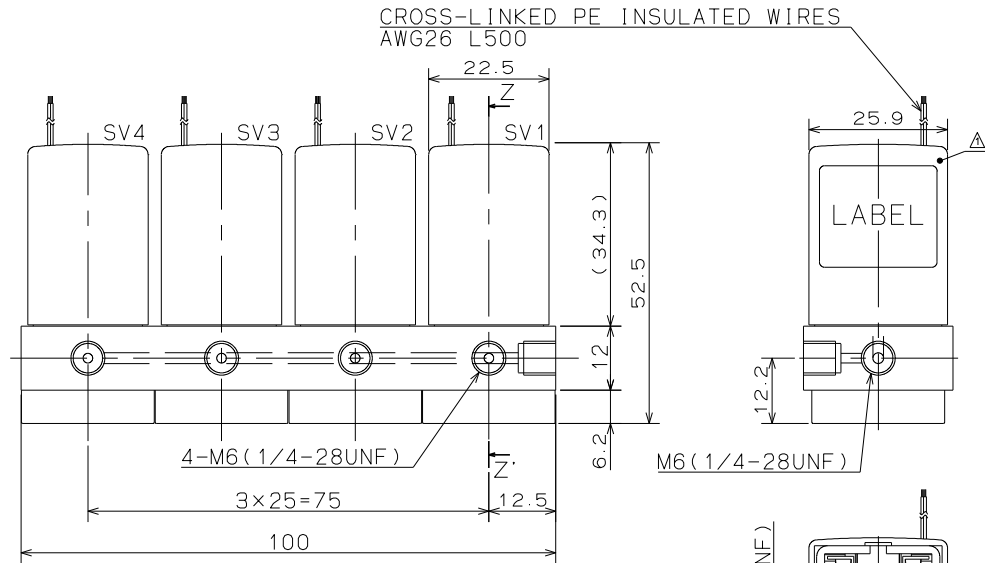


FOR REFERENCE ONLY

## SOLENOID VALVE

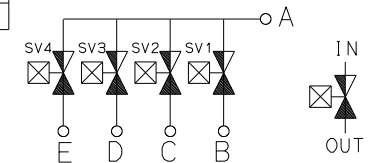
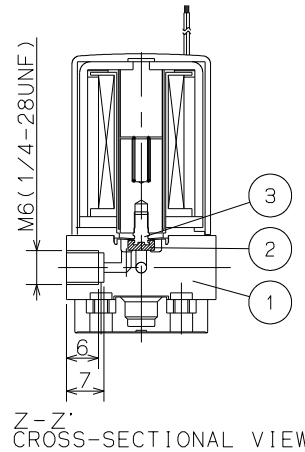
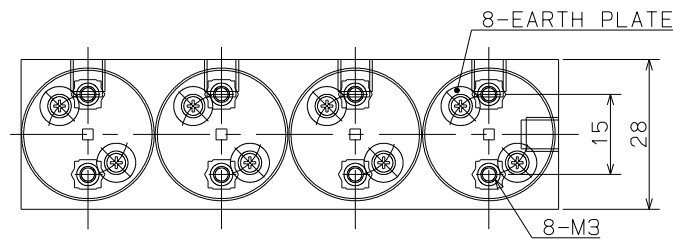
### SPECIFICATIONS for MODEL WTA-2-4MFF(G)-8

- ORIFICE DIAMETER : 1.6mm
- PORT CONNECTION : M6, 1/4-28UNF
- OPERATING PRESSURE RANGE : A -27 ~ 200kPa  
(-200mmHg ~ 2bar)
- B, C, D, E 0 ~ 100kPa  
(0 ~ 1bar)
- FLUID MEDIA : FLUIDS CHEMICALLY COMPATIBLE WITH MATERIALS BELOW
- MEDIA TEMPERATURE RANGE : 5 ~ 50°C
- AMBIENT TEMPERATURE RANGE : 5 ~ 50°C
- RATED VOLTAGE : 12VDC, 24VDC
- POWER CONSUMPTION : 2.8W×4
- DUTY CYCLE : CONTINUOUS
- COIL TEMPERATURE INCREASE : MAX. 65°C FROM ROOM TEMPERATURE
- INSULATION CLASS : CLASS E
- DIELECTRIC STRENGTH : 1000VAC FOR 60s

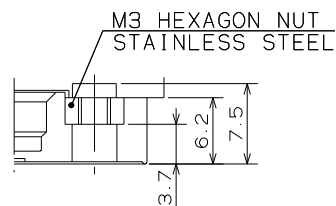


**NOTE**

MODEL NUMBER	SOFT SEAL MATERIAL
WTA-2-4MFF-8	FPM
WTA-2-4MFG-8	DAIEL PERFLUOR



FLOW DIAGRAM



MOUNTING HOLE DETAILS  
SCALE: 2/1

### WETTED MATERIALS

SYM.	DATE	DESCRIPTION	PART NO.	PART NAME	MATERIAL	REQD.	NOTE
△			3	DIAPHRAGM	PTFE	4	
△			2	SOFT SEAL	FPM/DAIEL PERFLUOR	4	
△	11-12-1	CASE SHAPE WAS CHANGED, THE NOTATION OF THE LEADS WAS CORRECTED, ETC.	1	MANIFOLD	PTFE	1	

SCALE	APPROVED	CHECKED	DRAWN	SOLENOID VALVE WTA-2-4MFF(G)-8		DRAWING NO 07326-00-0	
1/1							
A 3							