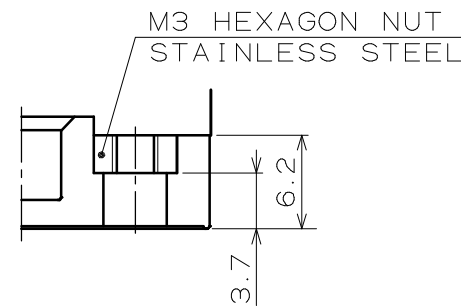
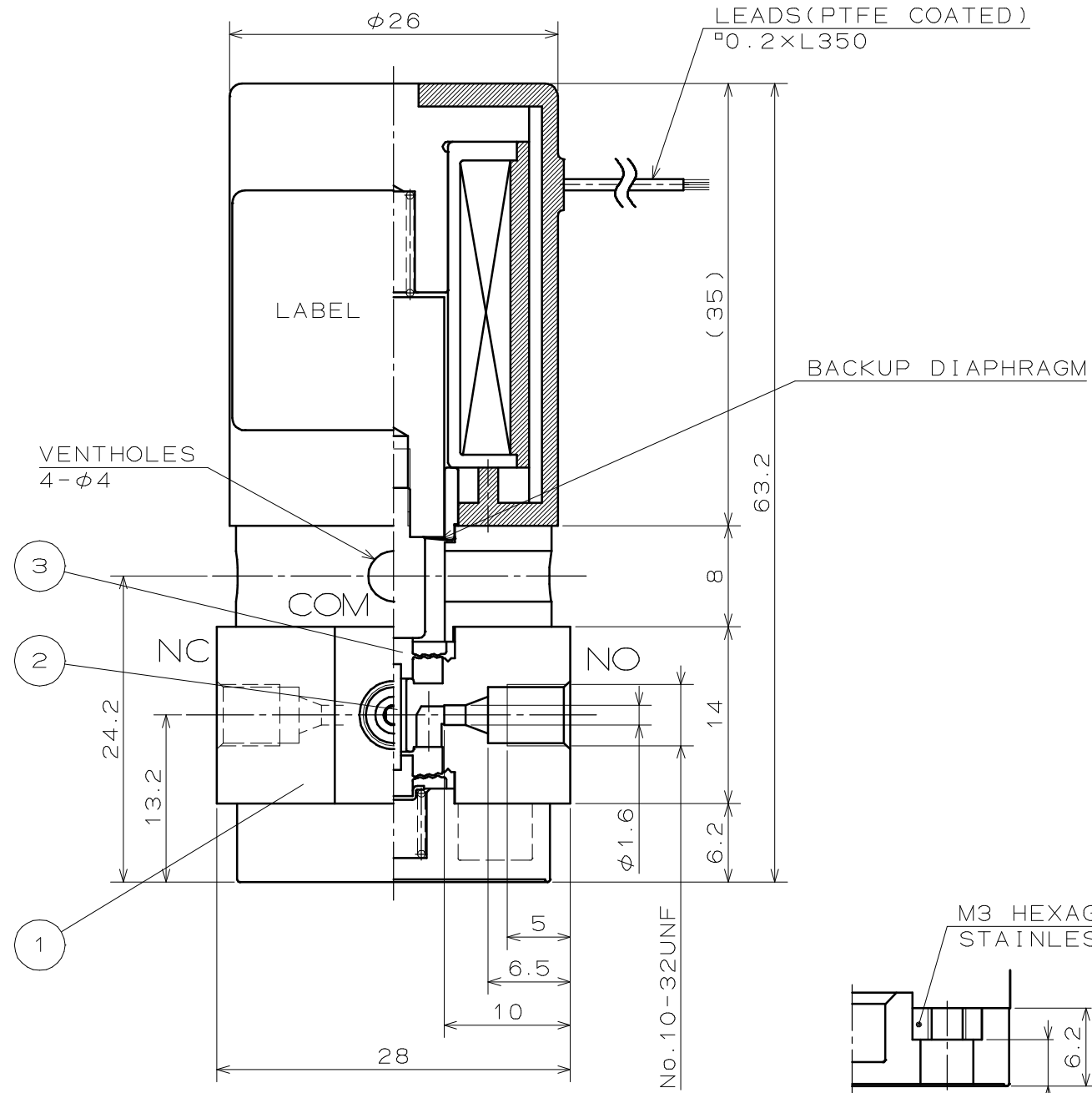


FOR REFERENCE ONLY

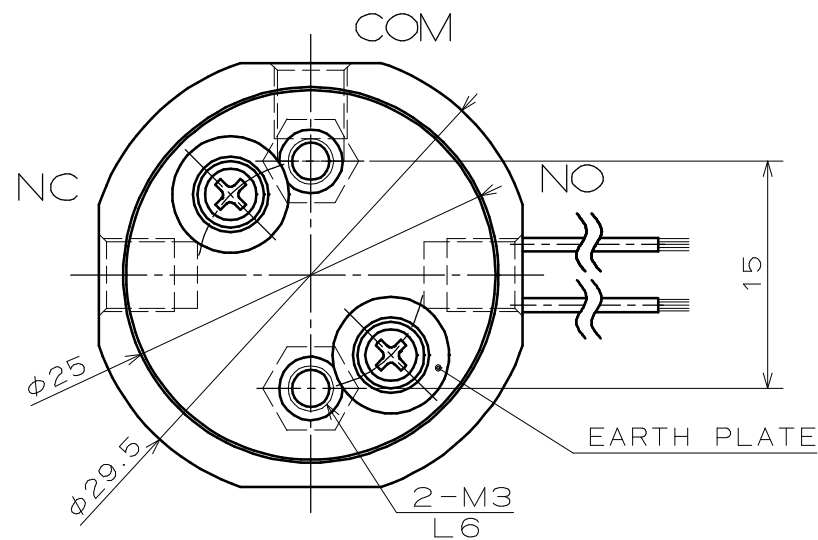
TAKASAGO CLEAN VALVE

△ SPECIFICATIONS for MODEL MTV-31-N32UCV

ORIFICE DIAMETER	: 1.4mm
PORT CONNECTION	: No. 10-32UNF
OPERATING PRESSURE RANGE	: COM -100 ~ 200kPa {-750mmHg ~ 2.0bar}
	: NC, NO 0 ~ 50kPa {0 ~ 0.5bar}
FLUID MEDIA	: FLUIDS CHEMICALLY COMPATIBLE WITH MATERIALS BELOW
MEDIA TEMPERATURE RANGE	: 5 ~ 60°C
AMBIENT TEMPERATURE RANGE	: 5 ~ 60°C
RATED VOLTAGE	: 12, 24VDC
POWER CONSUMPTION	: 2.6W
OPERATING DURATION	: CONTINUOUS DUTY
COIL TEMPERATURE INCREASE	: MAX. 50°C FROM ROOM TEMPERATURE
INSULATION CLASS	: CLASS B
DIELECTRIC STRENGTH	: 1500VAC FOR 60s



MOUNTING HOLE DETAILS



WETTED MATERIALS

SYM.	DATE	DESCRIPTION	PART NO	PART NAME	MATERIAL	REQD.	NOTE
△			3	DIAPHRAGM	PTFE	2	
△			2	STEM	SAPPHIRE	1	
△	'00-08-02	MODEL NAME CORRECTED M.M	1	VALVE BODY	SUS316	1	
REVISION							
SCALE	APPROVED	CHECKED	DRAWN	TAKASAGO CLEAN VALVE		DRAWING NO	
2/1	H. Asai	N. Asai	H. Sugiura	MTV-31-N32UCV		987012-00-E	
A 3							