

12mm CSV Cartridge Style Valve

Miniature 2- or 3-Way Pneumatic Solenoid Valve

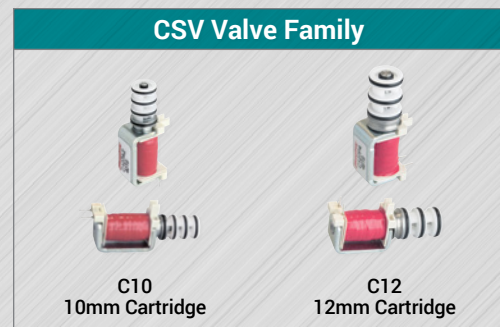
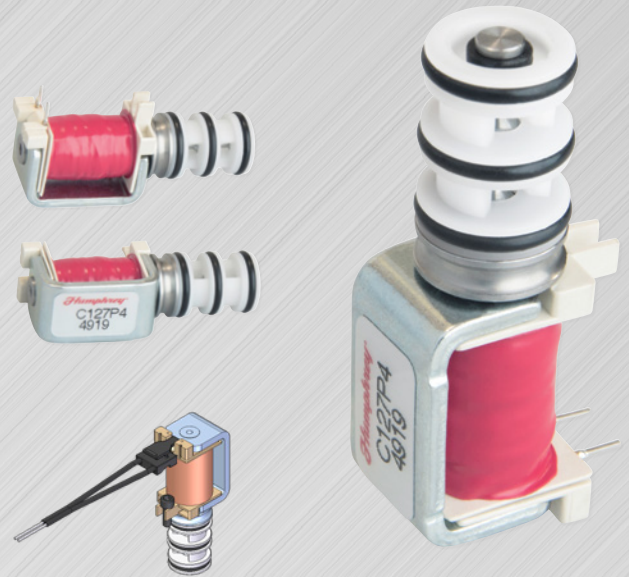


Humphrey 12mm CSV Solenoid Valve is purposely engineered for optimal flow and integration into compact spaces needed by today's high tech device and instrument makers. Multi-purpose, cartridge design delivers wide functionality and porting flexibility, optimizing your miniature media control system.

Purchase CSV only and integrate into your own solution, or let Humphrey Engineered Solutions model one up for you.

FEATURES

- Maximized Flow Capacity
- Fast Response, Direct-Acting Design
- Designed for user flexibility and integration into compact devices or spaces
- Pressure Balanced – ready for use as 2- or 3-way
- Normally Closed or Normally Open
- Customizable for different power and flow requirements.
- Consider miniature 10mm CSV occupying less space for lower flow requirements.



ACCESS ONLINE CATALOG
 Obtain 3D CAD Download, CAD Viewer,
 2D Dimensional Drawings, Product Images,
 DataSheet PDFs, Product Accessories



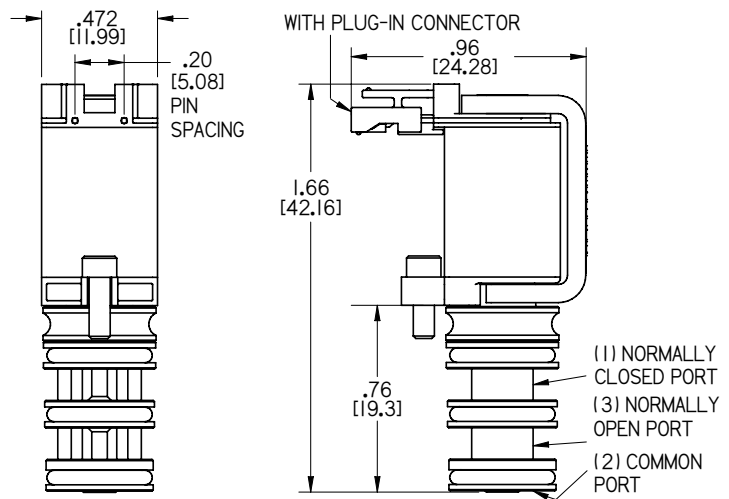
How to Order

12mm CSV Cartridge Style Valve

C12	7A		2		C127A2
MODEL	ELECTRICAL ENTRY 7A: Axial Plug-In 7P: Perpendicular Plug-In	SEAL nil: NBR F: FKM	VOLTAGE 2: 12VDC 4: 24VDC	CONNECTOR nil: Plug-In Electrical Connector with 30cm lead wires included X: Plug-In Electrical Connector excluded or leads	ORDER EXAMPLE

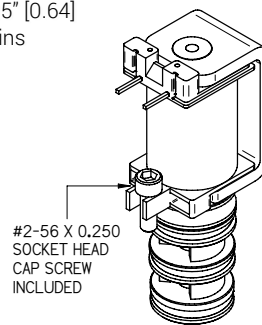
12mm CSV Cartridge Style Valve

SPECIFICATIONS	12MM CSV
TYPE OF OPERATION	Direct Solenoid
FUNCTION	2- or 3-Way, NC or NO
MEDIA	Air, Oxygen, Inert Gas
PRESSURE RATING - PSI (BAR)	VAC-30 (2)
RESPONSE TIME (TYP)	9ms on, 5ms off
MAXIMUM FLOW @ 30 PSI	125 SLPM (.20 Cv)
AMBIENT TEMPERATURE	32-125° F (0-52° C)
POWER CONSUMPTION (WATTS)	
12V MODEL	5
24V MODEL	5
NORMAL RESISTANCE (OHMS)	
12V MODEL @72°F (22°C)	29
24V MODEL @72°F (22°C)	115
WETTED MATERIALS	Acetal, LCP, Stainless Steel, NBR (standard) or FKM
WEIGHT – OZ (GRAMS)	.68 (19.5)
COMPLIANCE	RoHS, REACH



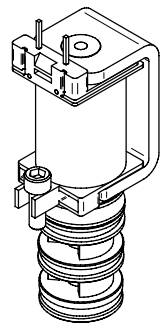
PERPENDICULAR PIN OPTION

Two 0.025" [0.64] Square Pins



AXIAL PIN OPTION

Two 0.025" [0.64] Square Pins

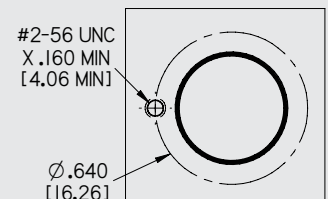
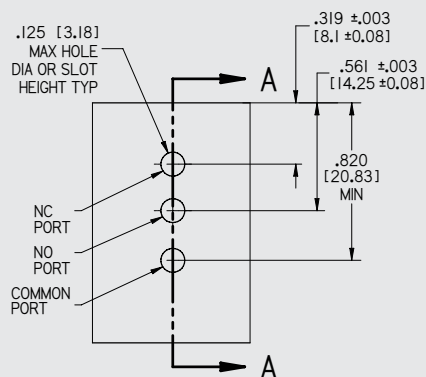
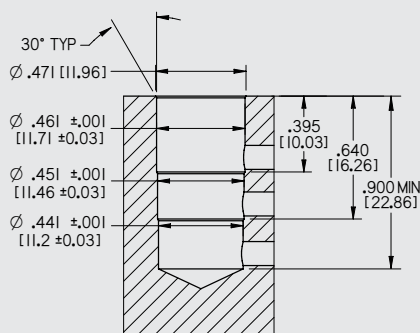


49081 CONNECTOR HARNESS ASSY

(Replacement)



MANIFOLD INTERFACE



Certified: ISO 9001:2015

HUMPHREY-PRODUCTS.COM

Humphrey Life Science Group
© 2020 Humphrey Products Company, Inc.
Printed in U.S.A.

LDS12CSV20

Humphrey Products Company
5070 East N Avenue
Kalamazoo, MI 49048 USA
E: lsg@Humphrey-Products.com
P: 1.800.477.8707



Humphrey