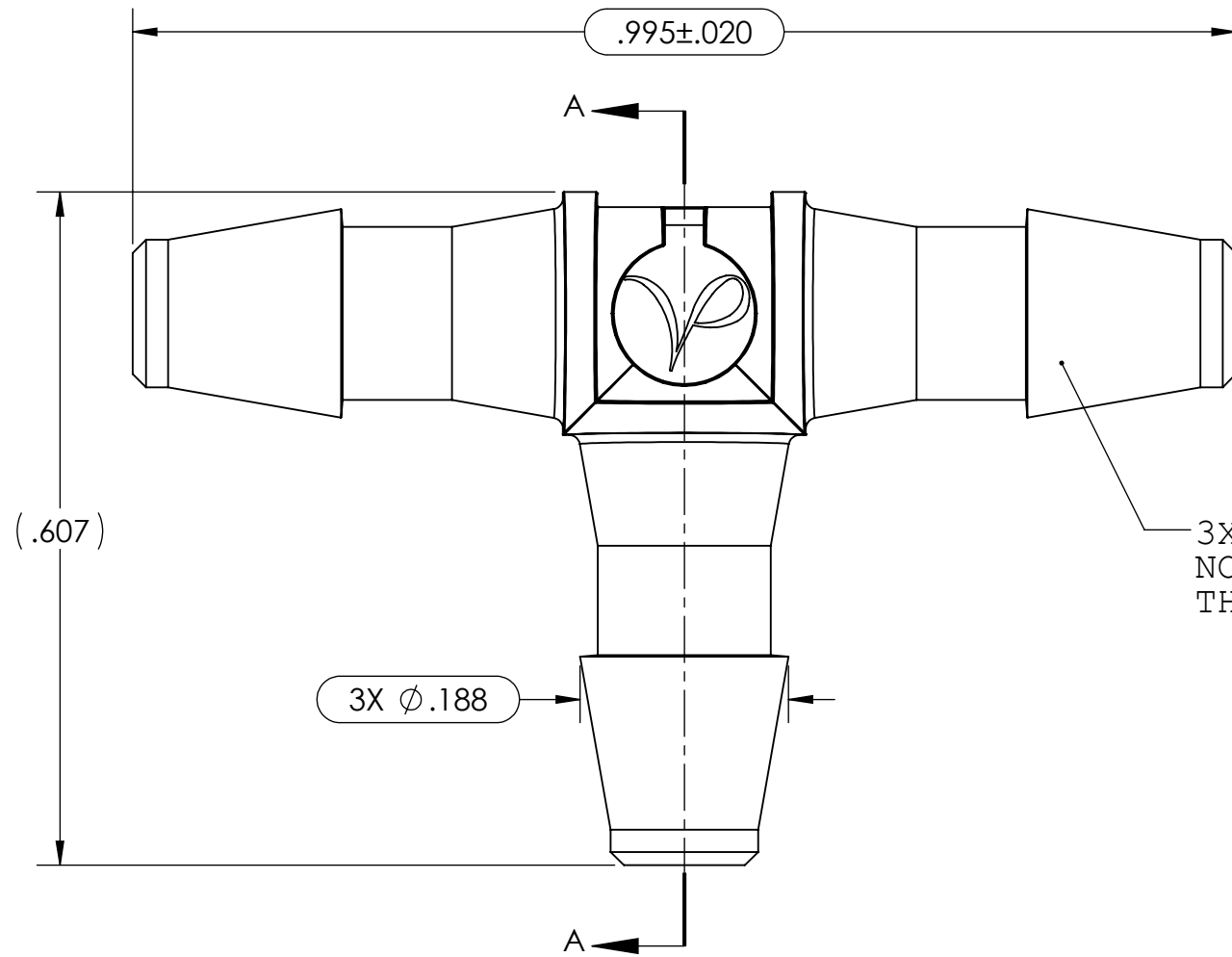


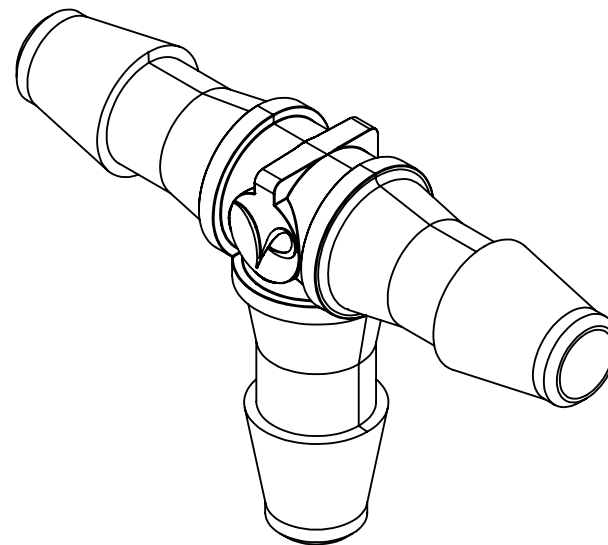
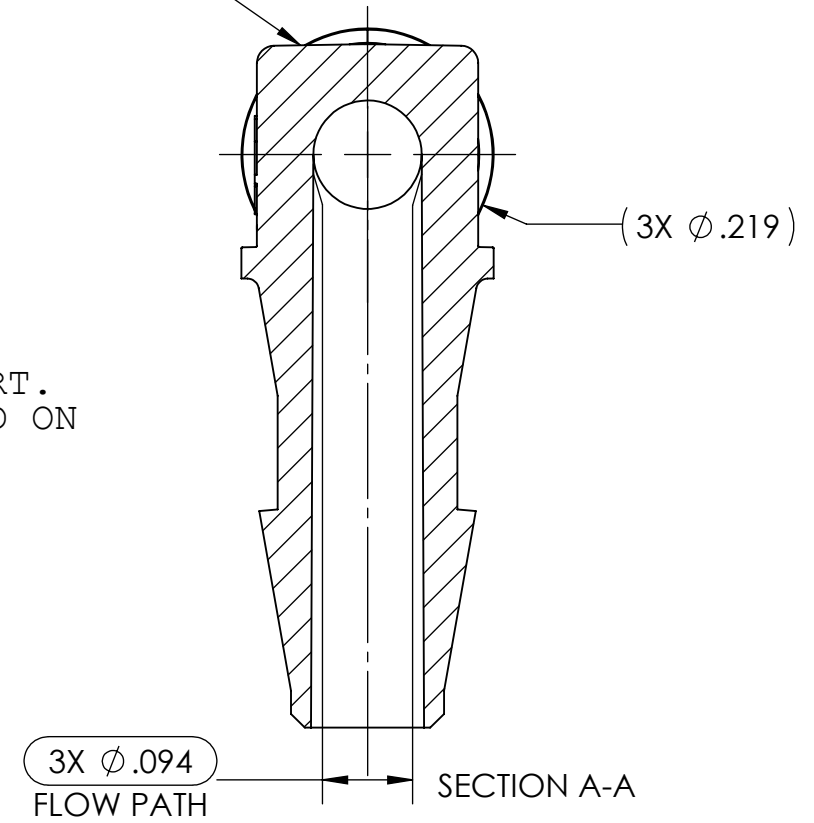
NOTES: FOR ADDITIONAL DETAILS, PLEASE CONTACT VP CUSTOMER SERVICE  
 DIMENSIONS MARKED  $\varnothing$  ARE CONTROL DIMENSIONS

REVISIONS			
REV.	DESCRIPTION	DATE	APPROVED
A	INITIAL RELEASE	10-01-02	
B	CO 013 DRAFTING UPDATE	05-02-05	Rick C.
C	ECO 378	11-06-18	FJL



GATE FEATURE MAY OR MAY NOT BE PRESENT ON PART

3X INSTRUMENT QUALITY PART. NO PARTING LINE PERMITTED ON THIS CONICAL SURFACE



UNLESS OTHERWISE SPECIFIED DIMENSIONS ARE IN INCHES TOLERANCES ARE:		<b>VALUE PLASTICS, INC</b>			
FRACTIONS ±	DECIMAL . XX ±.01 .XXX ±.005 .XXXX ±.001	ANGULAR ± 1°	PART NUMBER: T230		
DO NOT SCALE DRAWING			DESCRIPTION: Tee Connector with 200 Series Barbs, 1/8" (3 mm) ID Tubing		
DRAWN BY: marie.morleyjahn	DATE: 11/6/2018	SIZE: <b>B</b>	SCALE: NTS	VER: 1005494	REV: C
MANAGER: doug.kimmel		© 2017 VALUE PLASTICS, INC			SHEET: 1 OF 1