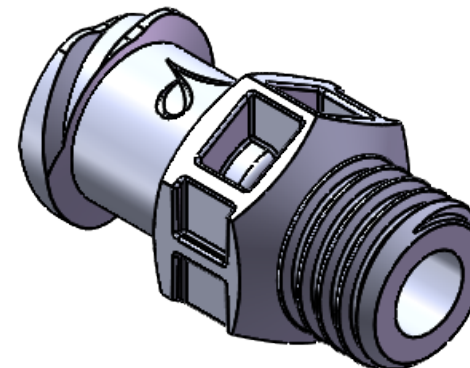
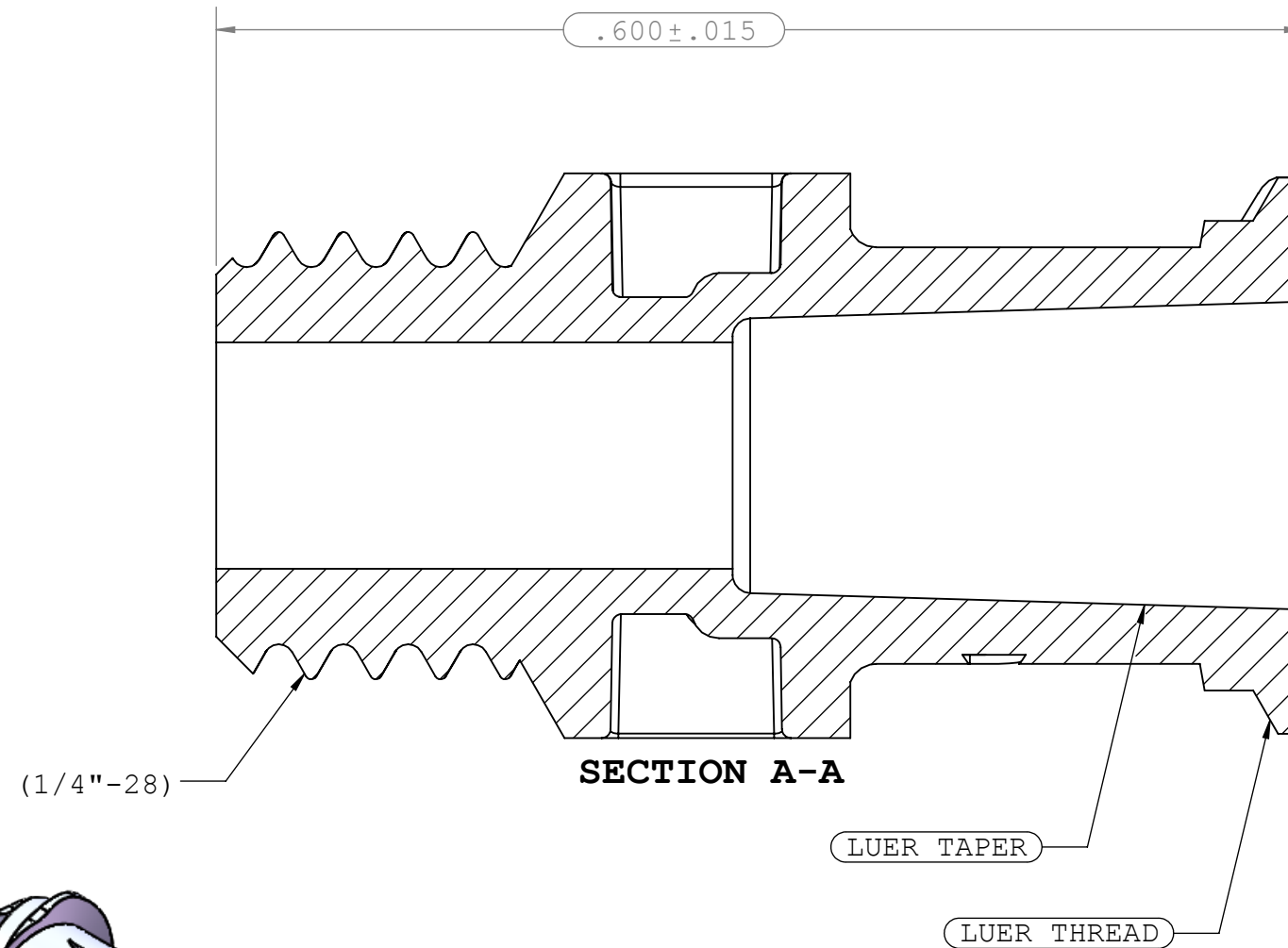
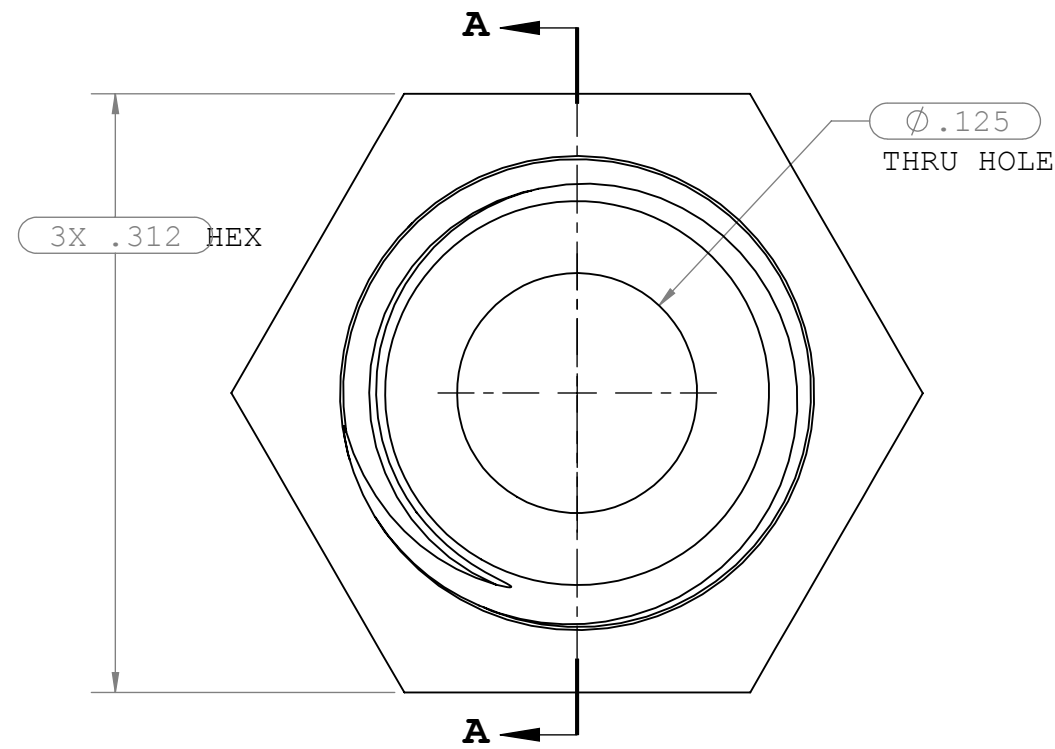


NOTES: 1.FOR ADDITIONAL DETAILS, PLEASE CONTACT VP NEW PRODUCT DEVELOPMENT
 2.DIMENSIONS MARKED $\text{\textcircled{\hspace{1cm}}}$ ARE CONTROL DIMENSIONS
 3.VERIFY THREAD USING 1/4"-28 PD .2258 GO THREAD GAUGE

REVISIONS			
REV.	DESCRIPTION	DATE	APPROVED
A	INITIAL RELEASE	02-20-98	
B	CO 018 Drafting Update	08-18-05	Rick C.
C	ECO 148- Re-design Hex w/ coring changes	12-29-09	Rick C.
D	ECO 358	03-21-17	FJL



UNLESS OTHERWISE SPECIFIED DIMENSIONS ARE IN INCHES TOLERANCES ARE:		VALUE PLASTICS, INC			
FRACTIONS	DECIMAL				
\pm	.XX $\pm .01$	$\pm 1^\circ$			
	.XXX $\pm .005$				
	.XXXX $\pm .001$				
DO NOT SCALE DRAWING			PART NUMBER: SFTLL		
DESCRIPTION: Female Luer Thread Style with 5/16" Hex to 1/4"-28 Thread			DRAWN BY: MICHELE SCHENK		
DATE: 3/21/2017	SIZE: B	SCALE: NTS	VER:	DWG. NO. 1006897	REV: D
ENGINEERING MGR: R. Cairns	© 2009 VALUE PLASTICS, INC			SHEET: 1 OF 1	

FOR REFERENCE ONLY