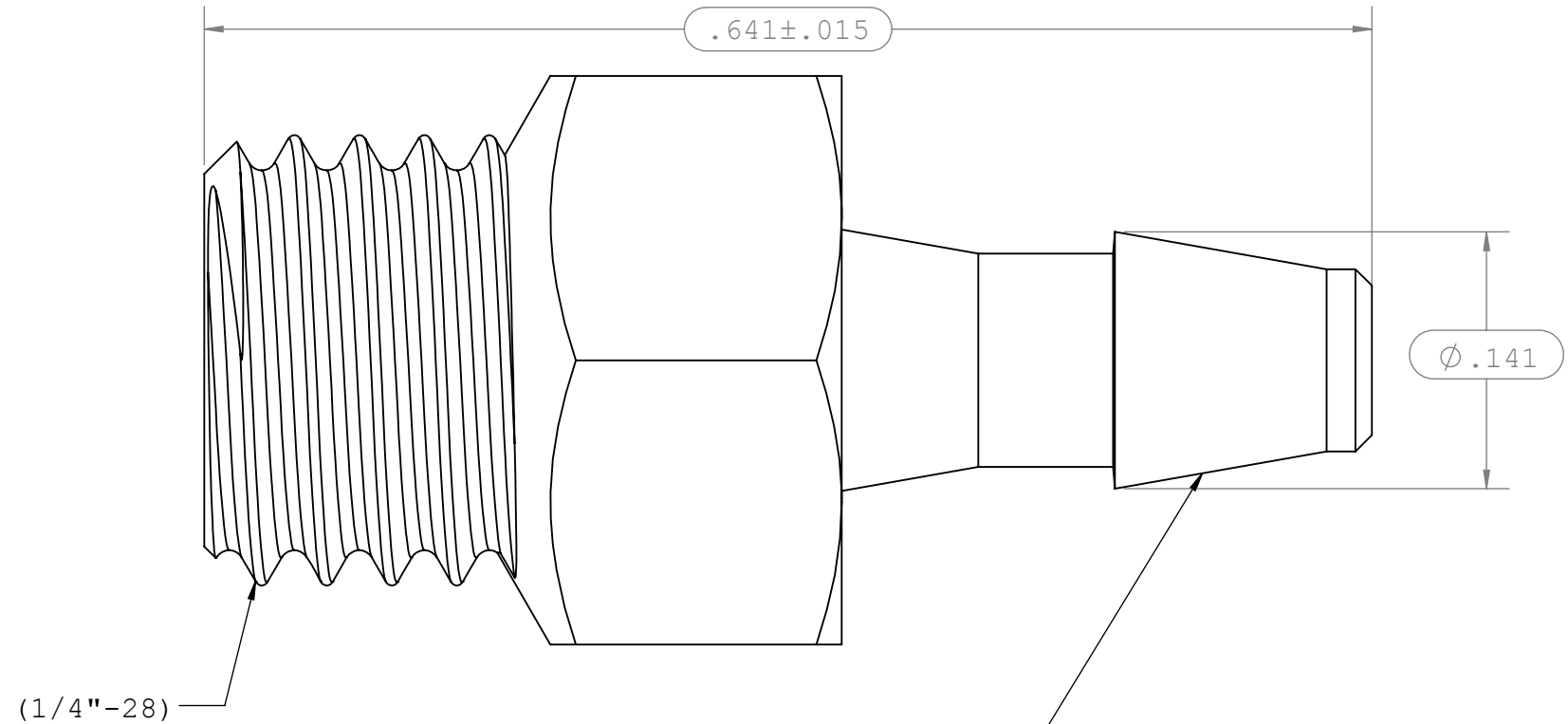
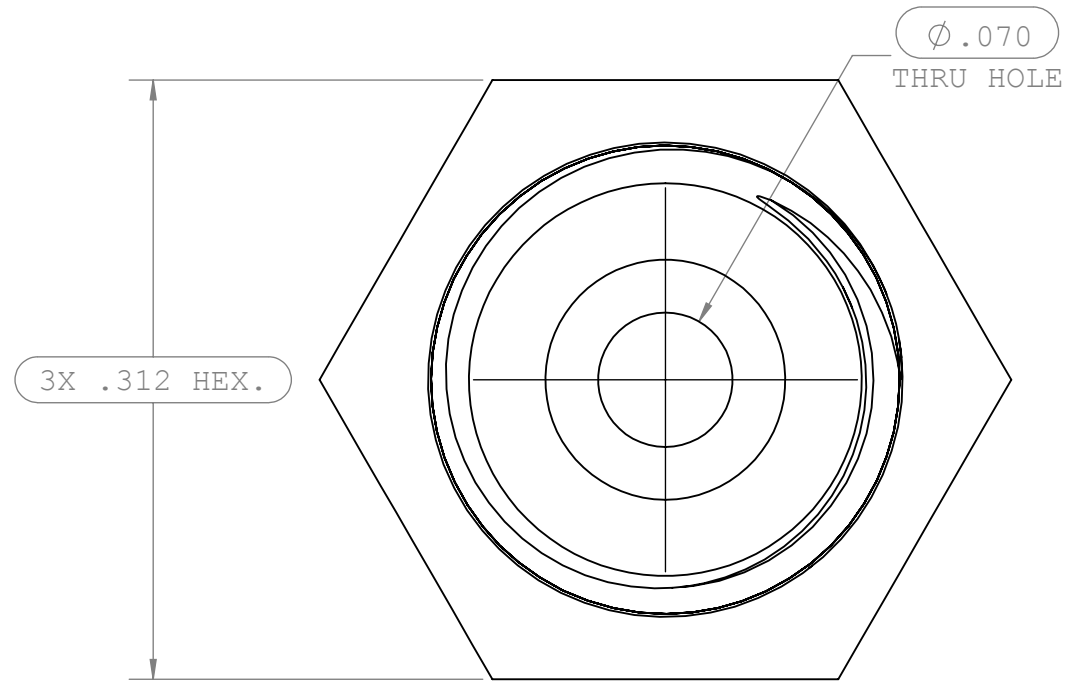
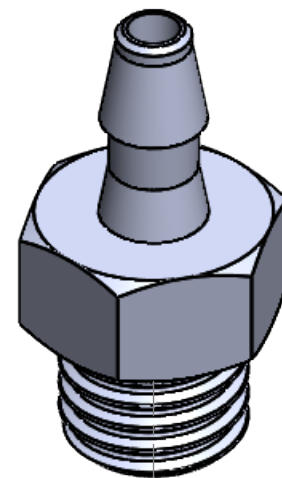


NOTES: 1.FOR ADDITIONAL DETAILS, PLEASE CONTACT VP NEW PRODUCT DEVELOPMENT
 2.DIMENSIONS MARKED ϕ ARE CONTROL DIMENSIONS
 3.VERIFY THREAD USING 1/4"-28 PD .2258 GO THREAD GAUGE

REVISIONS			
REV.	DESCRIPTION	DATE	APPROVED
A	INITIAL RELEASE	06-10-98	
B	CO 031 DRAFTING UPDATE	01-17-06	RICK C.
C	ECO 358	03-20-17	FJL



INSTRUMENT QUALITY PART. NO PARTING LINE PERMITTED ON THIS CONICAL SURFACE



UNLESS OTHERWISE SPECIFIED DIMENSIONS ARE IN INCHES TOLERANCES ARE:		VALUE PLASTICS, INC			
FRACTIONS DECIMAL ANGULAR \pm .XX \pm .01 \pm 1° .XXX \pm .005 .XXXX \pm .001		PART NUMBER: S220			
DO NOT SCALE DRAWING		DESCRIPTION: 1/4"-28 THREAD WITH 5/16" HEX TO 200 SERIES BARB, 3/32" (2.25 mm) ID TUBING			
DRAWN BY: BRYCE HIRSCHFELD	DATE: 3/20/2017	SIZE: B	SCALE: NTS	VER: 	DWG. NO. REV 1007775 C
MANAGER: DOUG KIMMEL		© 2014 VALUE PLASTICS, INC			SHEET: 1 OF 1

FOR REFERENCE ONLY