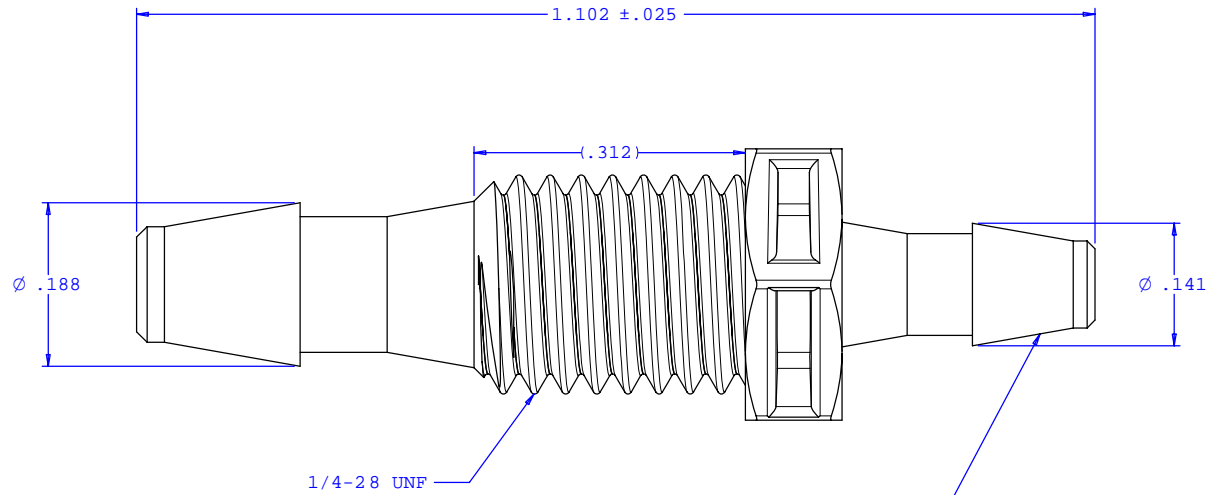
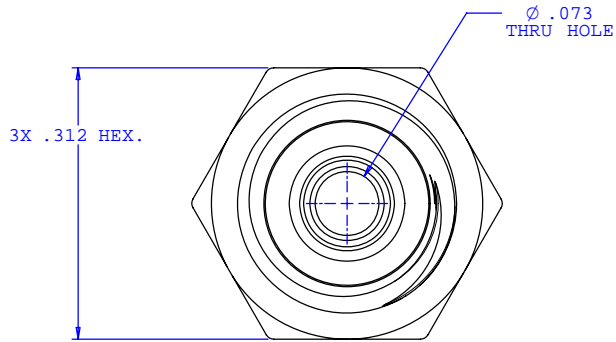
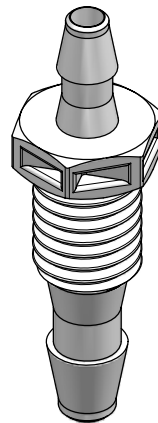


NOTE: FOR MORE DETAILS SEE YOUR V.P. CUSTOMER SERVICE REP.

REVISIONS			
REV.	DESCRIPTION	DATE	APPROVED
A	INITIAL RELEASE	01-08-02	
B	CO 039 Drafting Update	05-08-06	Rick C.



2X INSTRUMENT QUALITY PART. NO PARTING LINE PERMITTED ON THIS CONICAL SURFACE



UNLESS OTHERWISE SPECIFIED DIMENSIONS ARE IN INCHES TOLERANCES ARE:		VALUE PLASTICS, INC.	
FRACTIONS ±	DECIMALS .XX ±.01 .XXX ±.005 .XXXX ±.001	ANGULAR ±1°	PART NUMBER: PMS230/220
DO NOT SCALE DRAWING		DESCRIPTION: Panel Mount Reduction Connector 1/4-28 to 200 Series Barbs, 1/8" (3 mm) and 3/32" (2.25 mm) ID Tubing	
DRAWN BY: Frank Lombardi	DATE: 02-04-06	SIZE: B SCALE: NTS	DRAWING NUMBER: 1008226 REV. B
Engineer/Manager: Rick Cairns		© 2006 VALUE PLASTICS, INC. SHEET: 1 OF 1	

FOR REFERENCE ONLY