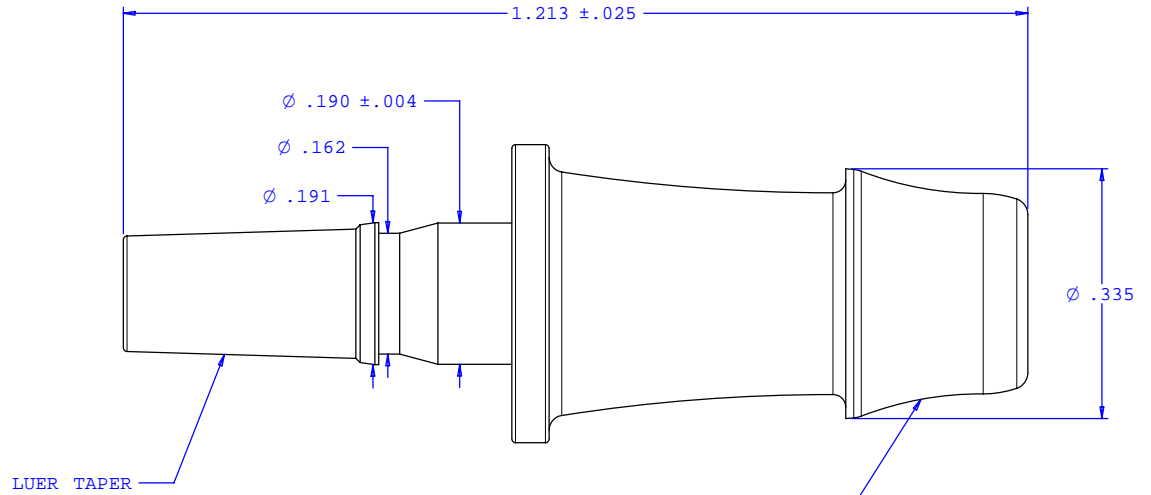
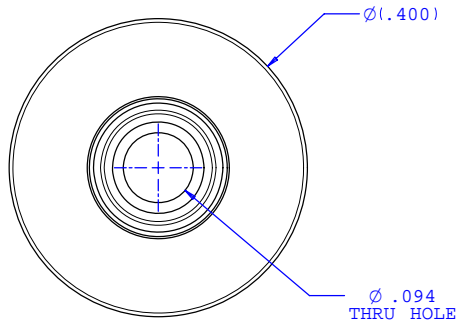
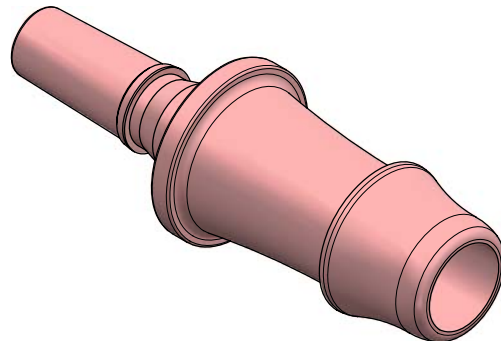


NOTE: FOR MORE DETAILS SEE YOUR V.P.CUSTOMER SERVICE REP.

REVISIONS			
REV.	DESCRIPTION	DATE	APPROVED
A	ECO#0030	02-27-01	
B	CO 024 Drafting Update	06-15-07	Rick C.



INSTRUMENT QUALITY PART. NO PARTING LINE PERMITTED ON THIS CONICAL SURFACE



UNLESS OTHERWISE SPECIFIED DIMENSIONS ARE IN INCHES TOLERANCES ARE:		VALUE PLASTICS, INC.	
FRACTIONS ±	DECIMALS .XX ±.01 .XXX ±.005 .XXXX ±.001	ANGULAR ±1°	PART NUMBER: MLRL055
DO NOT SCALE DRAWING		DESCRIPTION: Male Luer to 500 Series Barb, 1/4" (6.25 mm) ID Tubing (May be used with separate lock ring FSLLR)	
DRAWN BY: Randy Sakurada	DATE: 04/26/07	SIZE: B SCALE: NTS	DRAWING NUMBER: 1007187 REV. B
Engineer/Manager: Rick Cairns		© 2005 VALUE PLASTICS, INC. SHEET: 1 OF 1	

FOR REFERENCE ONLY