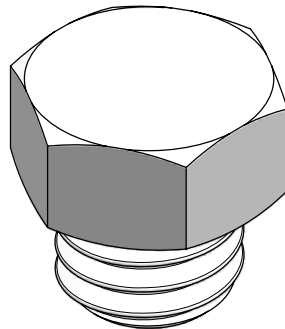
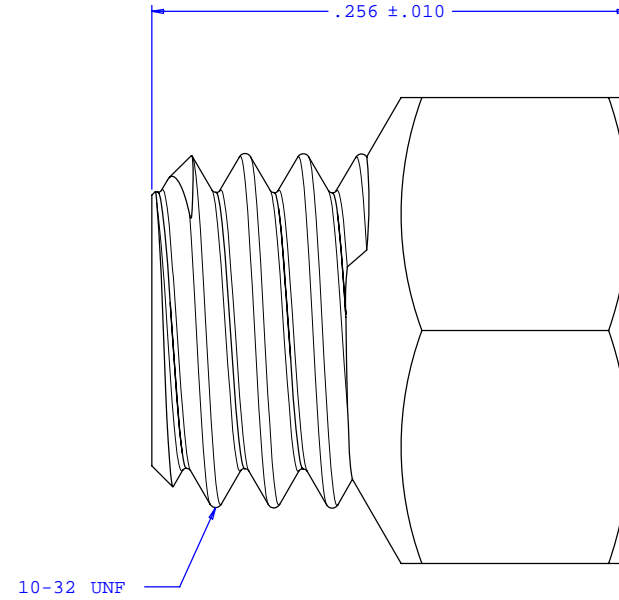
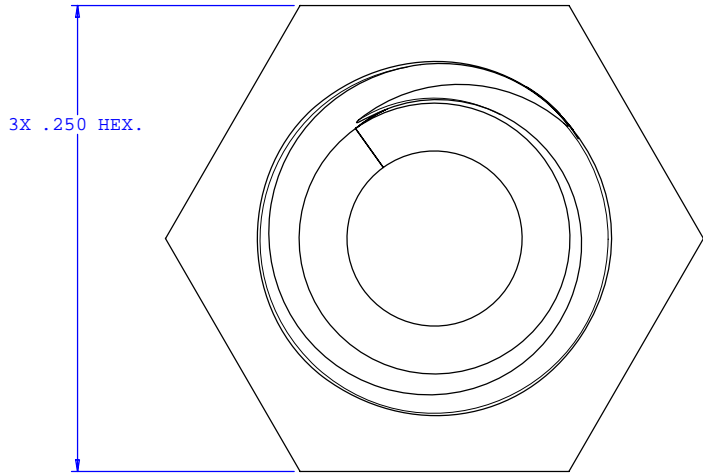


NOTE: FOR MORE DETAILS SEE YOUR V.P. CUSTOMER SERVICE REP.

REVISIONS			
REV.	DESCRIPTION	DATE	APPROVED
A	INITIAL RELEASE	05-21-98	
B	CO 031 Drafting Update	Rick C.	01-17-06



UNLESS OTHERWISE SPECIFIED DIMENSIONS ARE IN INCHES TOLERANCES ARE:		<b>VALUE PLASTICS, INC.</b>	
FRACTIONS ±	DECIMALS .XX ±.01 .XXX ±.005 .XXXX ±.001	ANGULAR ±1°	PART NUMBER: <b>KP</b>
DO NOT SCALE DRAWING		DESCRIPTION: 10-32 UNF Thread Plug with 1/4" Hex	
DRAWN BY: <b>Frank Lombardi</b>	DATE: <b>11-05-05</b>	SIZE: <b>B</b>	SCALE: <b>NTS</b>
ENGINEER/ MANAGER: <b>Rick Cairns</b>	DRAWING NUMBER: <b>1007802</b>	REV. <b>B</b>	SHEET: 1 OF 1
© 2005 VALUE PLASTICS, INC.			

**FOR REFERENCE ONLY**