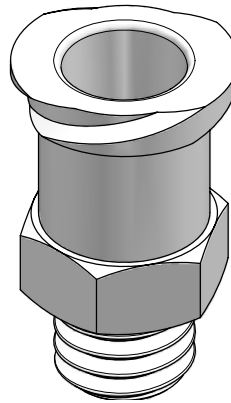
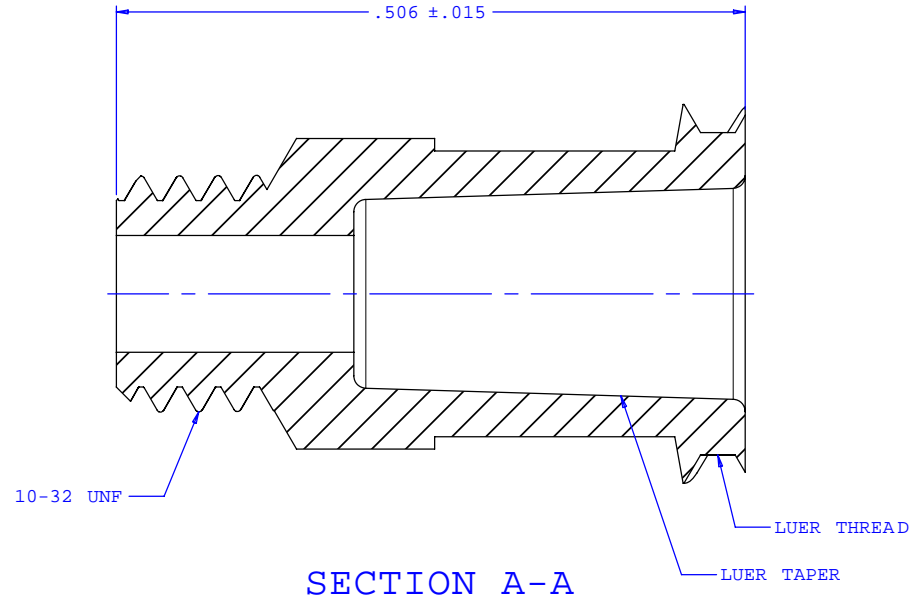
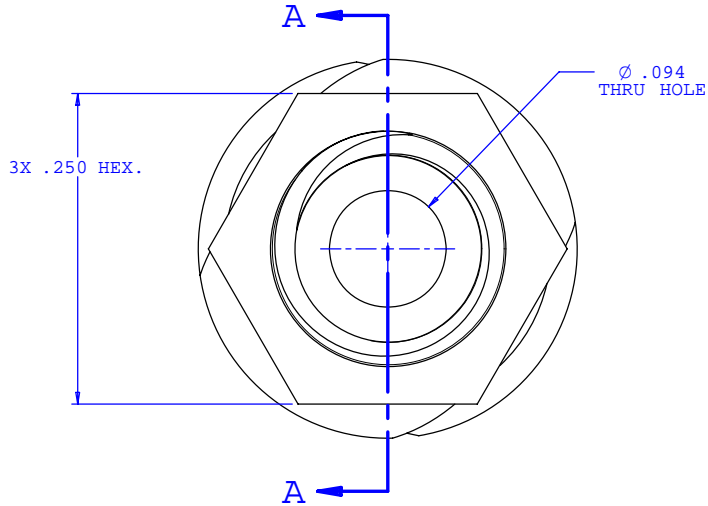


NOTE: FOR MORE DETAILS SEE YOUR V.P.CUSTOMER SERVICE REP.

REVISIONS			
REV.	DESCRIPTION	DATE	APPROVED
A	INITIAL RELEASE	02-23-98	
B	CO 031 Drafting Update	01-17-06	Rick C.



UNLESS OTHERWISE SPECIFIED DIMENSIONS ARE IN INCHES TOLERANCES ARE:		VALUE PLASTICS, INC.	
FRACTIONS ±	DECIMALS .XX ±.01 .XXX ±.005 .XXXX ±.001	ANGULAR ±1°	PART NUMBER: KFTLL
DO NOT SCALE DRAWING		DESCRIPTION: Female Luer Thread Style with 1/4" Hex to 10-32 UNF Thread	
DRAWN BY: Frank Lombardi	DATE: 11-18-05	SIZE: B	SCALE: NTS
Engineer Manager: Rick Cairns		DRAWING NUMBER: 1007844	REV. B
© 2005 VALUE PLASTICS, INC.			SHEET: 1 OF 1

FOR REFERENCE ONLY