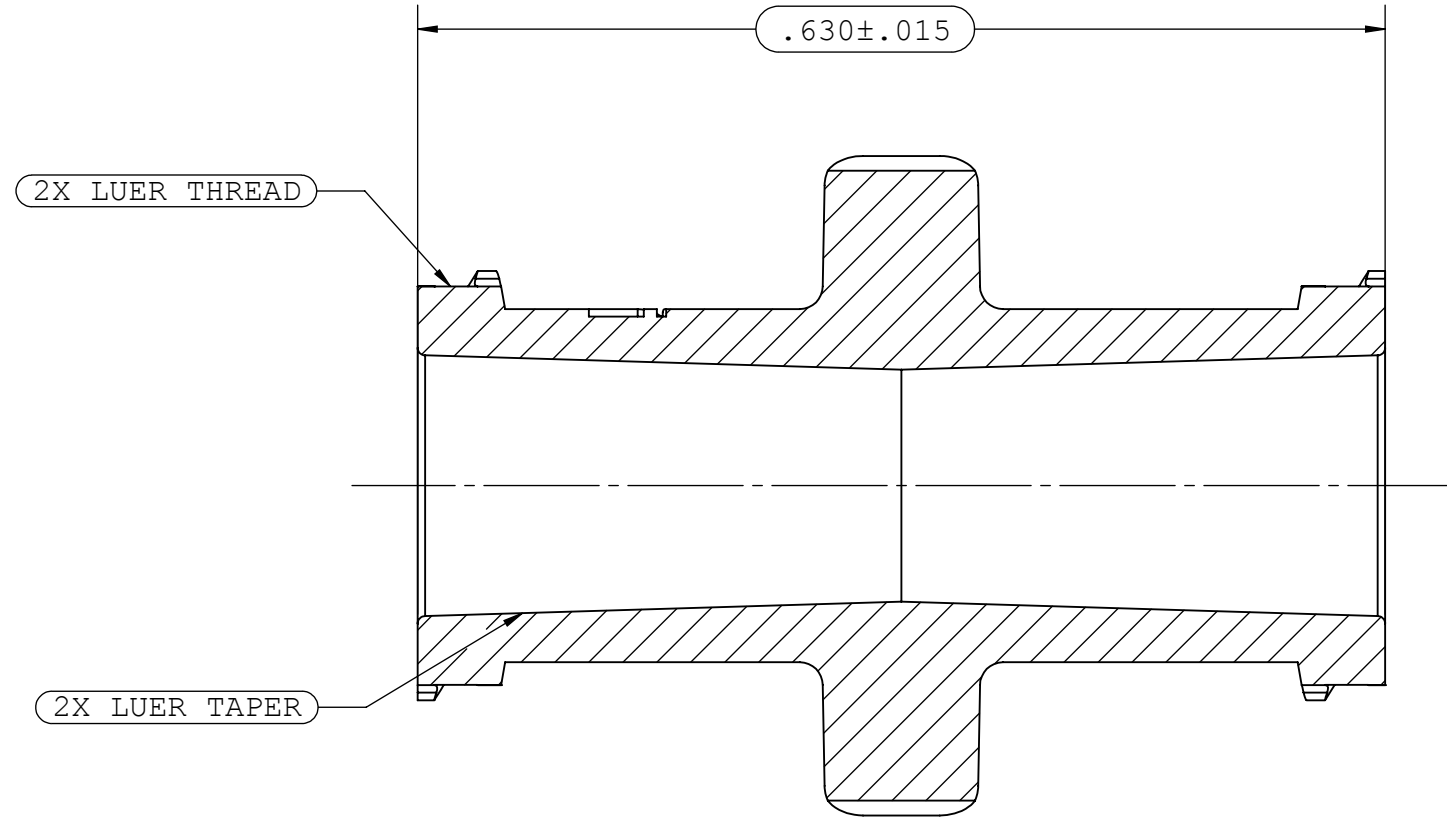
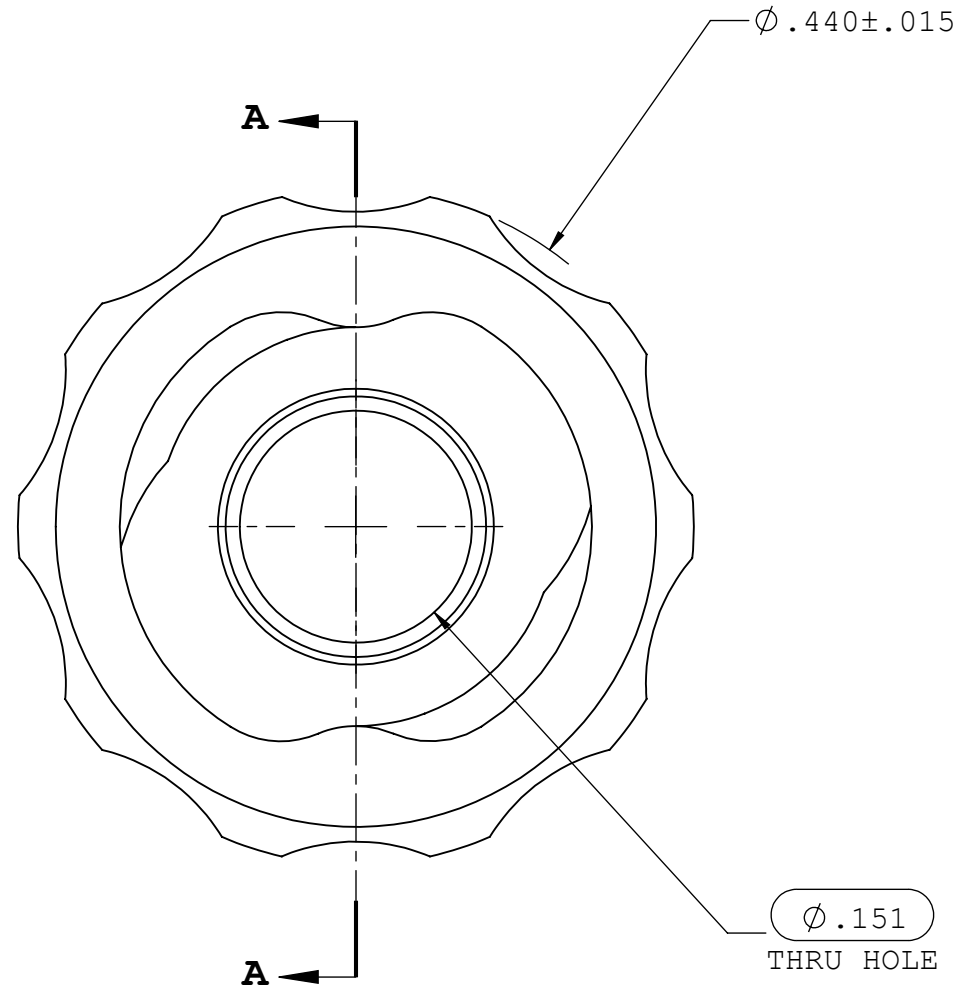
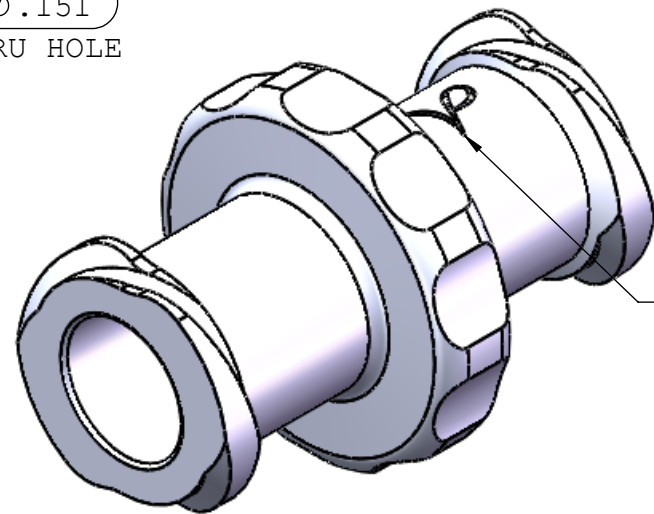


NOTES: FOR ADDITIONAL DETAILS, PLEASE CONTACT VP CUSTOMER SERVICE  
 DIMENSIONS MARKED  $\phi$  ARE CONTROL DIMENSIONS

REVISIONS			
REV.	DESCRIPTION	DATE	APPROVED
A	INITIAL RELEASE	02-09-98	
B	CO 016 Drafting Update	07-11-05	Rick C.
C	ECO 232 Drafting Update	05-05-15	H.L



**SECTION A-A**



VP LOGO MAY OR  
MAY NOT BE PRESENT

UNLESS OTHERWISE SPECIFIED DIMENSIONS ARE IN INCHES TOLERANCES ARE:		<b>VALUE PLASTICS, INC</b>			
FRACTIONS    DECIMAL    ANGULAR ±            .XX ±.01            ± 1° .XXX ±.005 .XXXX ±.001		PART NUMBER: <b>FTLLC</b>			
DO NOT SCALE DRAWING		DESCRIPTION: Female Luer Thread Style Coupler			
DRAWN BY: <b>Frank.Lombardi</b>	DATE: 5/6/2015	SIZE: <b>B</b>	SCALE: NTS	VER: 	DWG. NO. 1006659
MANAGER: Huadong Lou		© 2011 VALUE PLASTICS, INC			REV C
				SHEET:	1 OF 1

**FOR REFERENCE ONLY**