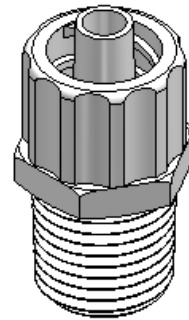
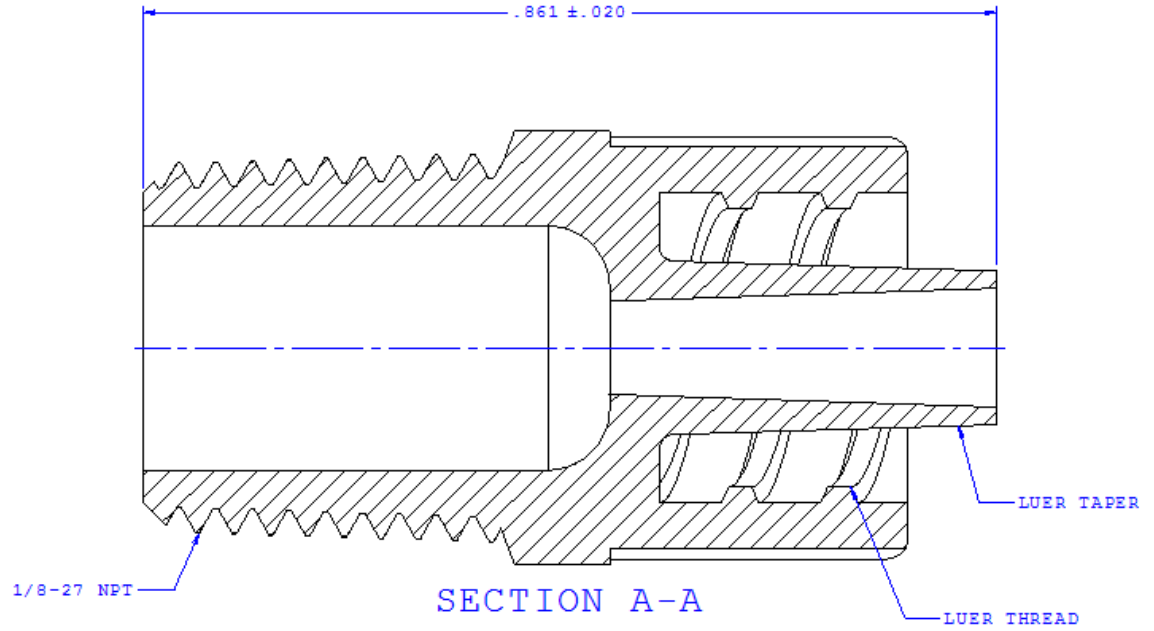
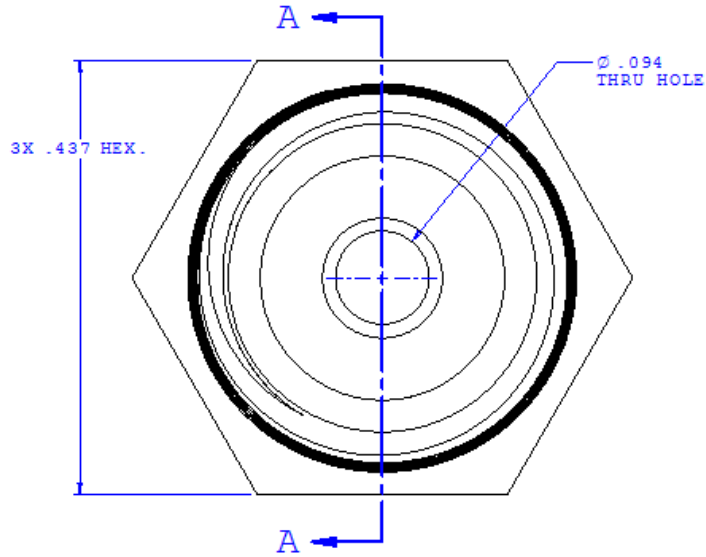


NOTE: FOR MORE DETAILS SEE YOUR V.P. CUSTOMER SERVICE REP.

REVISIONS			
REV.	DESCRIPTION	DATE	APPROVED
A	INITIAL RELEASE	05-03-99	
B	CO 046 Drafting Update	03-11-09	Rick C.



UNLESS OTHERWISE SPECIFIED DIMENSIONS ARE IN INCHES TOLERANCES ARE:		<b>VALUE PLASTICS, INC.</b>	
FRACTIONS 1/16 .001 1/32 .0005 1/64 .00025 .0001 .0001	DECIMALS .01 .005 .001	ANGULAR 1/2° 1° 1/4°	PART NUMBER: <b>18MILL</b> DESCRIPTION: Male Luer Integral Lock Ring with 7/16" Hex to 1/8-27 NPT Thread
DO NOT SCALE DRAWING		SIZE: B SCALE: NTS DRAWING NUMBER: 1008662	REV. B
DRAFT BY: <b>Frank Lombardi</b>	DATE: <b>04-21-06</b>	© 2006 VALUE PLASTICS, INC.	QUANTITY: 1 OF 1
ENGINEER MANAGER: <b>Rick Cairns</b>			

**FOR REFERENCE ONLY**